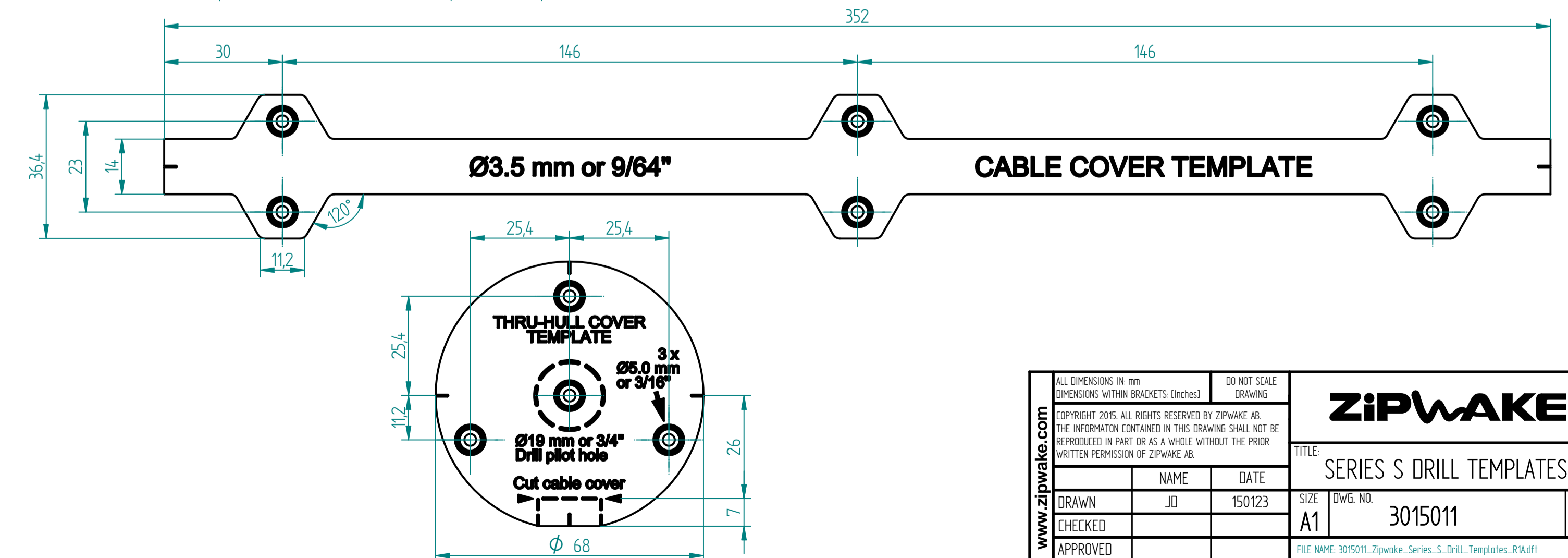
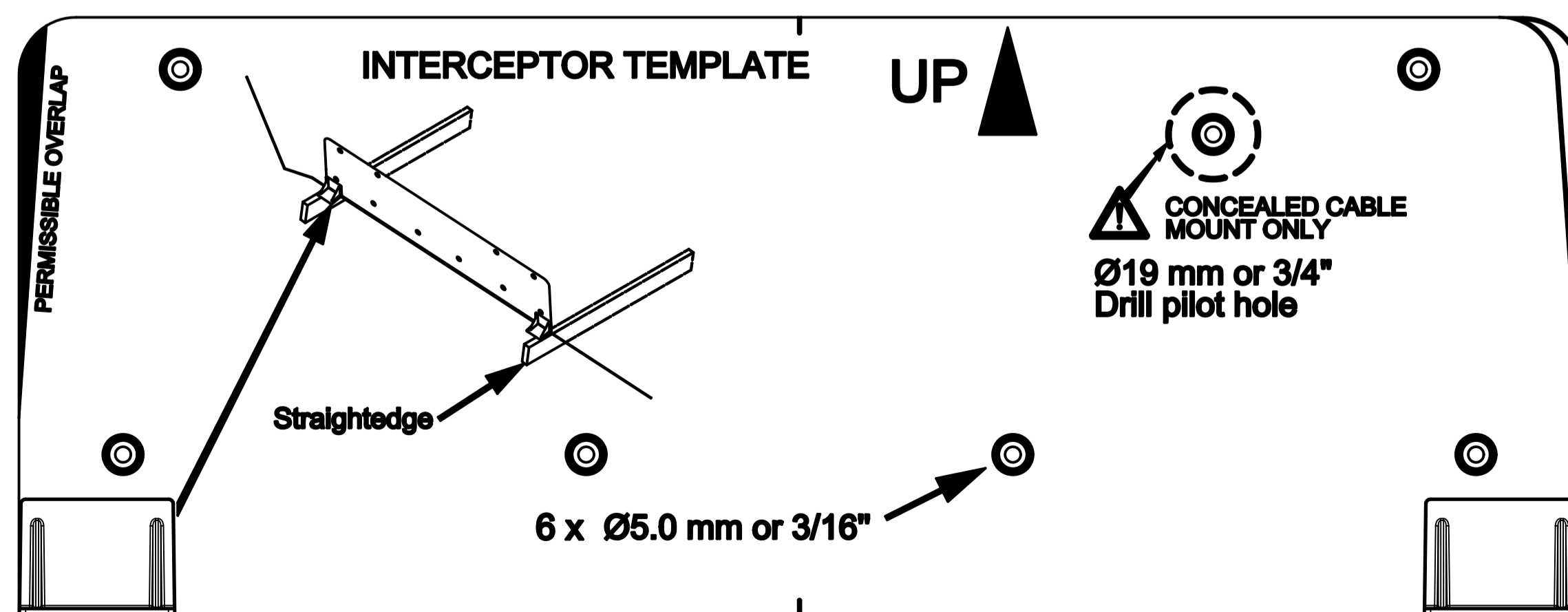
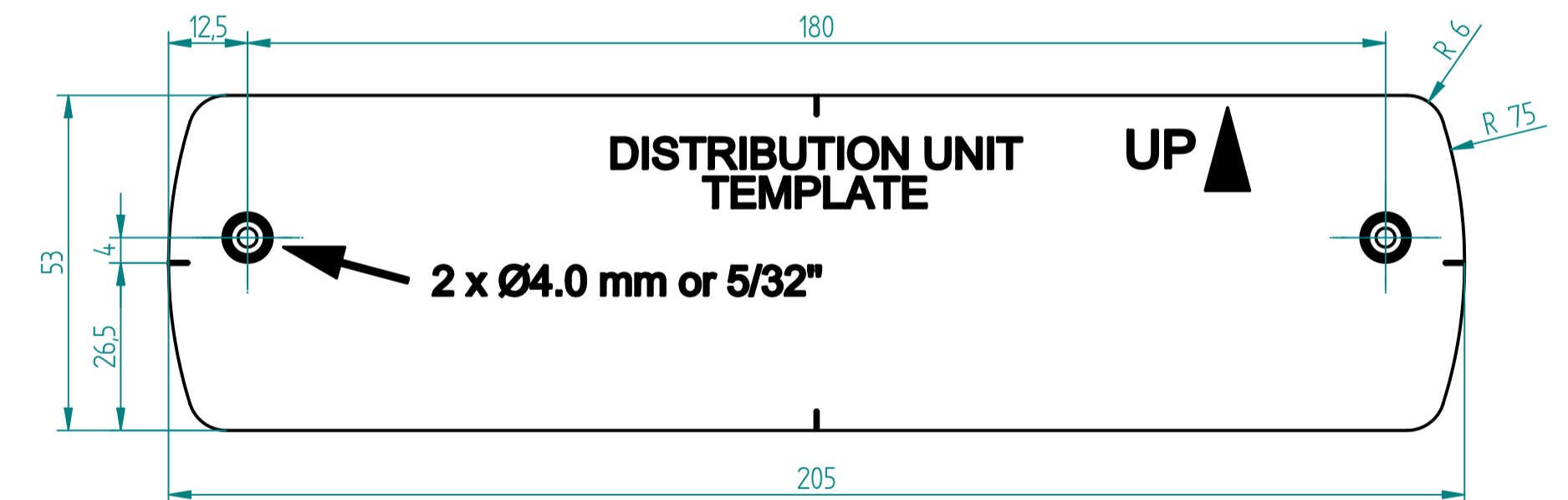
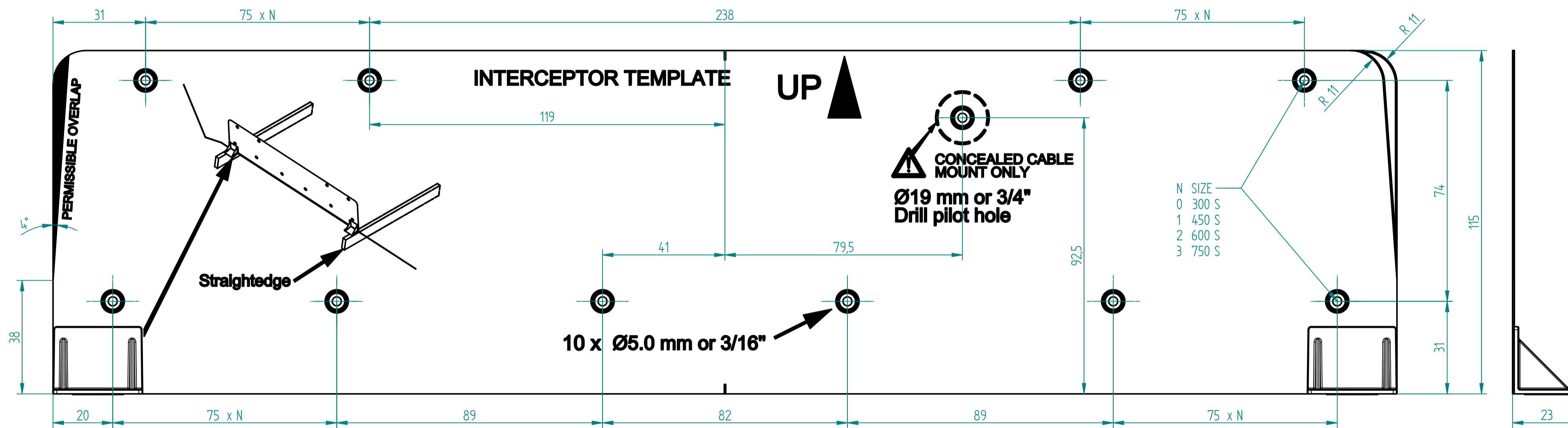
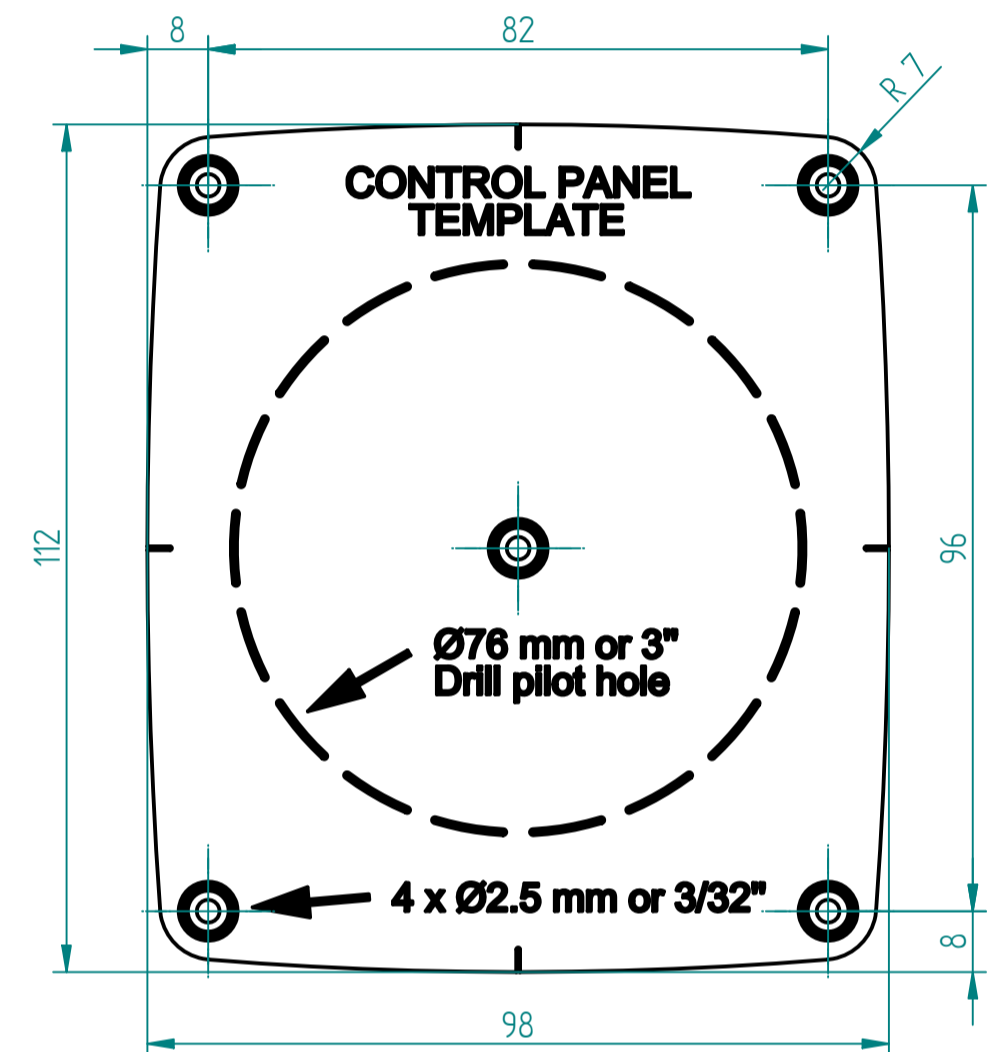
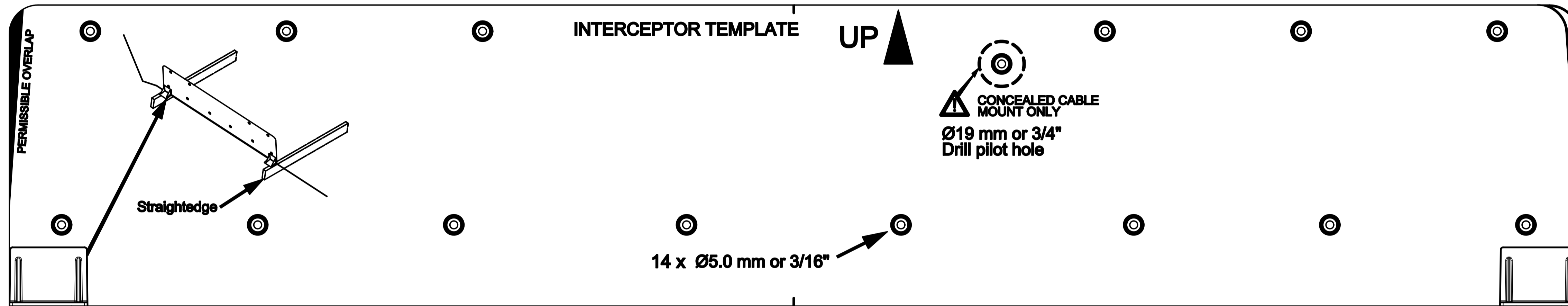
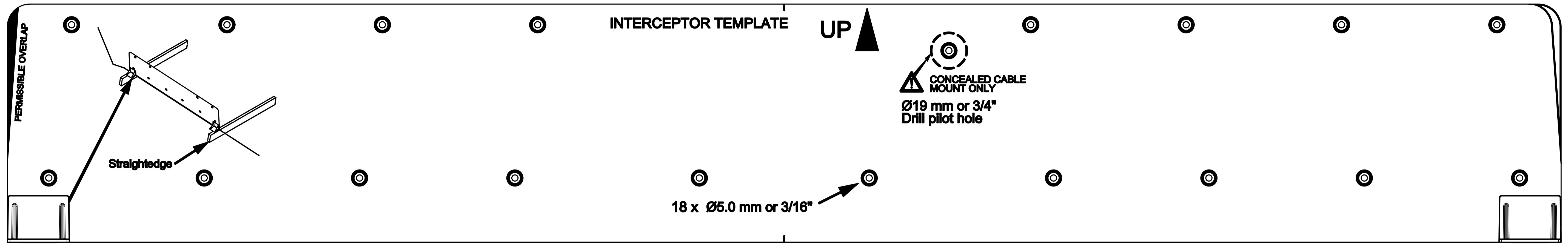


REV	DESCRIPTION	DATE	APPROVED



ALL DIMENSIONS IN mm (DIMENSIONS WITHIN BRACKETS [Inches])		DO NOT SCALE DRAWING	
COPYRIGHT 2015. ALL RIGHTS RESERVED BY ZIPWAKE AB. THE INFORMATION CONTAINED IN THIS DRAWING SHALL NOT BE REPRODUCED IN PART OR AS A WHOLE WITHOUT THE PRIOR WRITTEN PERMISSION OF ZIPWAKE AB.			
NAME		DATE	
DRAWN JD		150123	
CHECKED		DATE	
APPROVED		DATE	
TITLE		SERIES S DRILL TEMPLATES	
DRAWN		SIZE DWG. NO.	
A1		3015011	
APPROVED		FILE NAME: 3015011_Zipwake_Series_S_Drill_Templates_R1.dwg	
UNLESS OTHERWISE SPECIFIED GENERAL TOLERANCES ACCORDING TO ISO 2768-1:m		SCALE: 1:1 WEIGHT: SHEET 1 OF 1	